

# Ductware

## ISOLATION HANGER

by Ductmate



## Vibration Isolating Hanging Bracket

Supports Up To 500kg!

- Rubber prevents vibration noise transmission from air ducts and other ventilation devices to parts of the building.
- The load-bearing capacity of the hanger can be used to its full extent.

Ductware®  
Productivity solutions with green results

# Isolation Hanger

Vibration Isolating  
Hanging Bracket

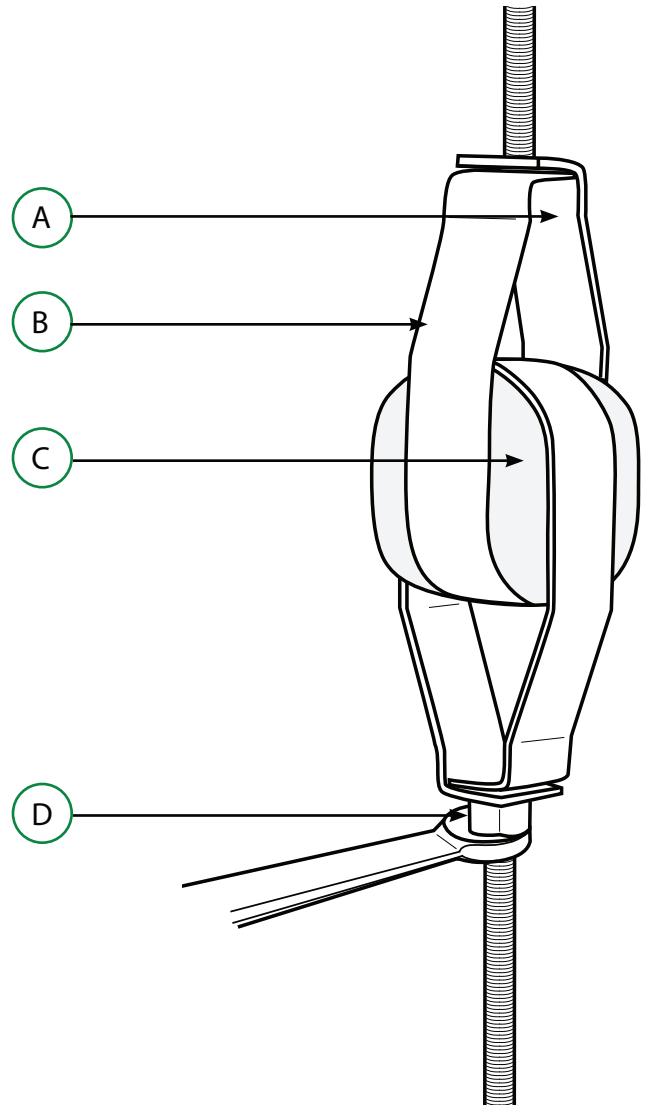
## DESCRIPTION

The Isolation Hanger is a sturdy steel suspension bracket with a rubber isolation pad.

An Isolation Hanger can be used with threaded rods for suspension of ductwork and other equipment in order to isolate vibration to its source.

## COMPONENTS & FEATURES

- A) The open space corresponds to the width of the nut, preventing the nut from turning.
- B) The sturdy tension brackets have a much greater load-bearing capacity than the corresponding threaded rods.
- C) The rubber padding prevents vibrations from being transmitted.
- D) The dimension on the outside corresponds to an ordinary wrench size. No special tools are required.



## TECHNICAL INFORMATION

Use with 3/8" threaded rod.

Load-bearing Capacity: 1100 lbs. (500kg)

Overall Length: 5 7/8" (150mm)

Max. Width: 1 13/16" x 1 13/16"  
(45mm x 45mm)

## PACKAGING INFORMATION

Item #	Description	Packing Unit	Unit Weight
DM 2723 SI	Isolation hanger SI 3/8"	50 Pieces	16.8kg

## LIMITED PRODUCT WARRANTY

Ductmate Industries, Inc. is not liable for consequential, incidental or special damages. There are no statutory or implied warranties including the warranties for fitness for a particular purpose and merchantability. There are no warranties other than as set forth below and Ductmate Industries, Inc. neither assumes nor authorizes any person to assume any liability or other obligation in connection with the Isolation Hanger.

The Isolation Hanger is warranted to be free from any and all defects in material and workmanship only at the time of shipment from our plant. If material is shown to be defective at the time of shipment from our plant, Ductmate Industries, Inc. will replace or issue credit for the original purchase price. To determine the suitability of the Isolation Hanger for each specific purpose the user must conduct his own test. Manufacturer does not guarantee the results from the use of the Isolation Hanger because of the many possible variances in surface quality, structural movement, or external caused damages.