

Ductware

Observation Access Panels

By Ductmate



Effective For Viewing Working Ultra Violet Lights

Installed in air handling units with wall/panel thickness up to 76mm

- 102mm x 66.68mm viewport
- Safety glass
- Virtually leak free up to 3487Pa

Ductware®
Productivity solutions with green results

Observation Access Panel **Effective for viewing working Ultra Violet Lights**

DESCRIPTION

The Observation Access Panel provides a safe, effective means to view working ultra violet lights.

BASIC USE

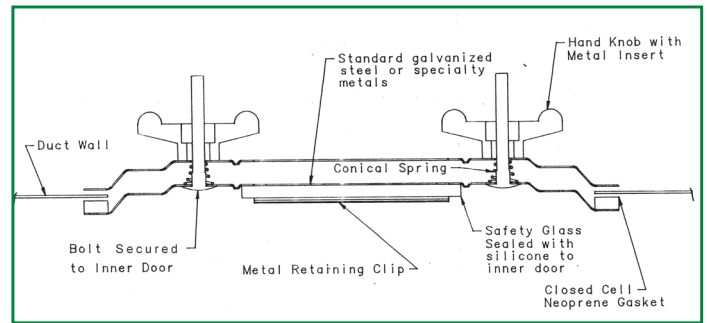
To provide a solid, leak proof panel that offers a simple installation and ability to view the interior of HVAC single wall applications through a clear safety glass without the need to open access door or disconnecting circuit while protecting the viewer from the harmful effects of ultra violet light.

SPECIAL CHARACTERISTICS

- 102mm x 66.68mm viewport
- 2 layers of safety glass
- Virtually leak free up to 3487Pa

TECHNICAL INFORMATION

- Panels**
The Double Paned Observation Access Panel consists of two layers of precision stamped hot-dipped galvanized steel.
- Gasket**
Closed cell neoprene gasket is UL94HF1 listed with a service temperature range of (ASTM D746) -29°C to 93°C. The gasket is permanently bonded to the inside of both panels to eliminate leakage.
- Springs**
Zinc plated conical springs are installed, between the inner and outer panel, to facilitate opening.
- Knobs**
Red polypropylene molded knobs have threaded metal inserts to eliminate thread stripping. Knobs are UL94HB listed.
- Bolts**
Zinc plated carriage bolts are secured and sealed to the inner panel.
- Glass**
Safety glass (6.35mm) is permanently sealed with silicone.
- Clips**
Hot-dipped galvanized steel clips mechanically fasten the safety glass in place.
- Template**
Self adhesive template is provided for the exact size of duct opening required.



PACKAGING INFORMATION

Size (mm)	Part No.	Gauge	No. Per Carton	Kg. Per Carton
254 x 152	DO106GA	22	10	11.34

SPECIAL CHARACTERISTICS

- Peel backing off template and apply to desired location
- Cut opening in duct as shown by template
- Loosen knobs, but do not remove
- Insert panel into opening at an angle and tighten knobs

LIMITED PRODUCT WARRANTY

Ductmate warrants that Observation Access Panel when properly installed and maintained, will be free from defects in material and workmanship, and will comply with all written specifications made by Ductmate at the time of sale. Ductmate's warranty shall run for a period of one year from the date of manufacture.

Warranty Limitation: The warranty stated above is in lieu of all other warranties, express or implied, including but not limited to the implied warranties of MERCHANTABILITY AND FITNESS FOR A PARTICULAR PURPOSE. Although Ductmate may have suggested the product, or provided written or oral advice to the Purchaser, it is the Purchaser's responsibility to test and determine the suitability of Observation Access Panel, for the intended use and purpose, and Purchaser and/or its customer assumes all risk and liability whatsoever regarding such suitability.

Limitation of Liability: In the event of a breach of the above warranty, Ductmate's sole obligation, and Purchaser's sole and exclusive remedy, shall be, at Ductmate's option, repair or replacement of any defective products, or refund of an applicable portion of the purchase price. Ductmate shall have no liability for costs of removal or re-installation of the product. The Purchaser agrees that no other remedy, including but not limited to loss of profits, loss sales, injury to person or property, or any other special, incidental or consequential damages, shall be available to the Purchaser for any claim arising out of this Agreement, regardless of whether such claim is made in contract or in tort, including strict liability in tort. In no event will Ductmate be obligated to pay damages to the Purchaser in any amount exceeding the purchase price that the Purchaser paid to Ductmate for the allegedly defective product.

Ductware[®]
Productivity solutions with green results

AUSTRALIA: 1300 DUCTWARE(3828 9273)

NZ:+64 07 571 5467

www.ductware.com.au

sales@ductware.com.au