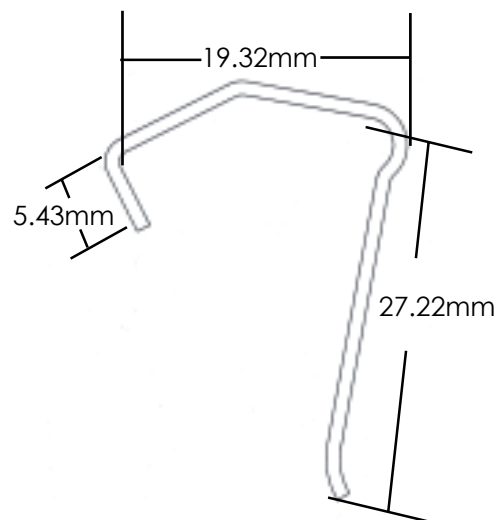


Versa-Cleat



*All measurements are inside dimensions
Manufactured from 22 Gauge (1.8mm)*

Snap-On Cleat

Can be used in conjunction with a variety of TDC/TDF connections

DESCRIPTION

Snap-On Cleat for application around parameter of transverse joint.

BASIC USE

Can be used in conjunction with a variety of TDC/TDF connections along with Ductmate 35 & 45.

AVAILABLE MATERIALS

- Galvanized
- Galvanneal
- PVC Coated
- 316 Stainless
- Aluminized

AVAILABLE SIZES

Part No.	Description	Quantity	Linear Metres	Weight
DW-DV6CGA	6" (150mm) Snap-On TDC Cleat	250 pcs./box	37.5m/box	13kg/box

LIMITED PRODUCT WARRANTY

Manufacturer is not liable for consequential, incidental or special damages. There are no statutory or implied warranties including the warranties of fitness for a particular purpose and merchantability.

There are no warranties other than as set forth here and factory neither assumes nor authorises any person to assume any liability or other obligation in connection with Versa-Cleat.

Versa-Cleat are warranted to be free from any and all defects in material and workmanship only at the time of shipment from our factory. Manufacturer will at its sole option, replace or issue credit for the original purchase price.

To determine the suitability of Versa-Cleat for each specific purpose the user must conduct their own test. Manufacturer does not guarantee the results from the use of Versa-Cleat because of differences in surface texture and porosity of available materials as well as the possibility of structural movement or externally caused damages.

KEEP OUT OF REACH OF CHILDREN. Consult The MSDS Sheet Before Using Product